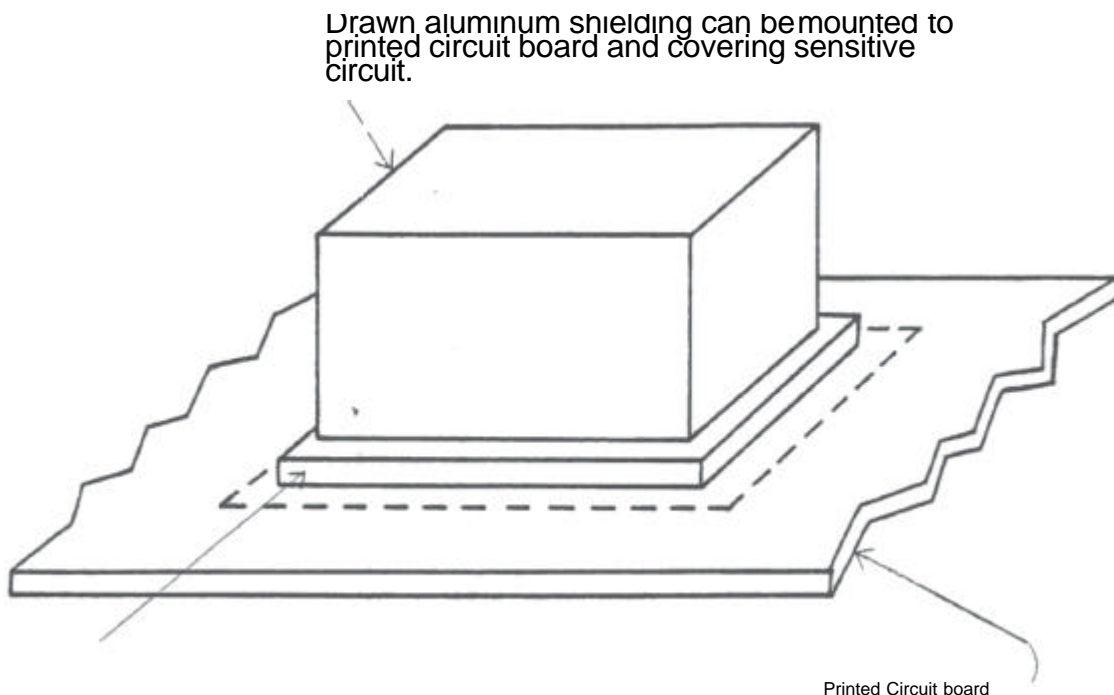


EMI SHIELDING

CASE HISTORY REFERENCE PAS-5

Problem:

SEALING OF GAP CIRCUIT BOARD SHIELD PATCH AND SHIELDING CAN, THE DRAWN ALUMINUM SHIELDING CAN IS MOUNTED ON THE PRINTED CIRCUIT BOARD AND COVERS A SENSITIVE CIRCUIT REQUIRING PROTECTION.



Conductive Rubber Gasket sealing gaps between shielding can and PC board shield "patch"

Solution:

STAMPED HIGH-DUROMETER CONSIL-11 CONDUCTIVE ELASTOMER GASKET WAS USED TO SHIELD THE GAPS. AS SHOWN, SHIELDING CAN EDGE IS CLAMPED AGAINST FLAT GASKET ACHIEVING A POSITIVE SEAL.